

Industrial Vacuum Cleaner Wet / Dry

Electric

CWR 8 (4W) - CWR 10 (4W)

Mobile vacuum sweeper for cleanrooms ISO Class 4

Range of applications

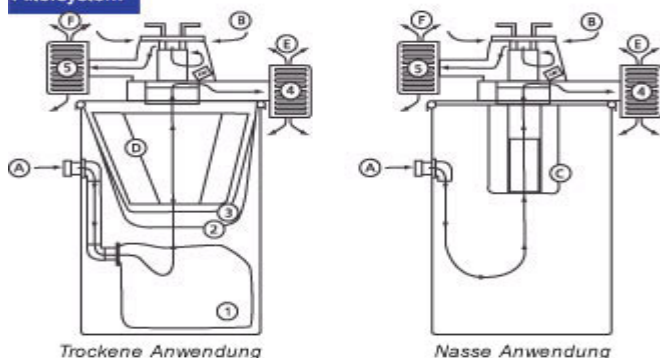
The electrically-powered industrial vacuum CWR are problematic to hold dust and liquids in cleanrooms ISO Class 4 (formerly Class 10) conceived. By the more gradual filter system can even fine dirt particles easily absorbed and the corresponding disposal are fed.

Properties/Advantages

- 2 ULPA filter system (filtration efficiency 99.999%)
- 5-stage filter system for dry
- Collector and accessories made of stainless steel 304 autoclave, electropolished
- Wide range of applications
- Powerful electric motor CWR 8 (W)
- Highest technical security with built-in filtering device
- Low noise level
- Extensive accessories available



Filtersystem



- A) hose connection
- B) air intake to cool the engine
- C) Autoclavable float system
- D) Use fabric filter bag for
- E) outlet - Sucker
- F) outlet - engine cooling

- 1. Filter paper** (retention capacity is 1 micron particles), coarse filter that protects the downstream filters from contamination
- 2. Double textile filter bag** (retention to 1 micron particles) that extends the functionality of the ULPA filter, washable filter, synthetic, two-layer, second layer of polyacryl (acrylic fiber)
- 3. Washable polyester filter**
- 4. ULPA Filter** (filtration efficiency: 99.999% for particles > 0.12 microns). Filters the outgoing air suction into the room.
- 5. ULPA Filter** (filtration efficiency: 99.999% for particles > 0.12 microns). Filters to prevent air needed to cool the engine and same time that the engine generated particles are released into the room.

Technical data	
Power	1050 Watt
Power consumption	230 V / 50 Hz.
Intake volume	173 m³/h max.
Vacuum	210 mbar max.
Connection hose	38 mm
Total filter area	9.800 cm²
Noise level	ca. 70 dB (A)
Weight	23 kg (30 kg)
Dimensions L x W x H	480x510x590 mm

Modell	Cont./L	Dust class	Medium	Art.Nr.
CWR 8 (4W)	10 tr./ 26 wet	U	Dust/Fluid	2004914
CWR 10 (4W)	20 tr. / 30 wet	U	Dust/Fluid	2004154
Scope of delivery, ø 32 mm, anti static				
Filter level 1: Paper bag 1 pack = 5 pieces				
Filter stage 2: Pre-filter exterior sheathing polyester				
Filter stage 3: Main filter dust class L - fuel filter (drainage)				
Filter level 4: ULPA filter collection efficiency: 99.999% at 0.12 micron				
Suction hose, L = 3 m with a socket and spigot				
2-piece hand pipe, VA				
Conductivity tester				
Floor tool: ESD - standard, plastic, 315mm with rubber lips				
Floor tool: ESD - standard, plastic, 290mm with Bürststreifen				
Crevice tool: ESD - standard, plastic, 195mm long				
Round brush: ESD - standard, plastic, 73mm Ø with Bürststreifen				
Round brush: ESD - standard, plastic, 73mm diameter with rubber lips				
Flat nozzle: ESD - standard, plastic, 130mm long				